

# R5 HOSPITALITY SEATING

## FOCUS



### FEATURES

- » Optional arms
- » Optional left / right hand tablet arm
- » Optional black metal trolley, easy to move when stacked
- » Available in beam seating
- » Multi purpose stackable client chair
  - » Maximum 20 chairs on trolley
  - » Maximum 5 chairs on floor
  - » Maximum 3 chairs with arms
  - » Not stackable with tablet arms
- » Linkable except with tablet arms or arms
- » Fully strengthened plastic back shell
- » Fully welded frame
- » Sled chrome base
- » Available in black only
- » BIFMA drop tested
- » Suitable for indoor use only
- » 4 year warranty
- » Weight limit is 120kg

INDOOR USE ONLY

X Do not use as a step ladder

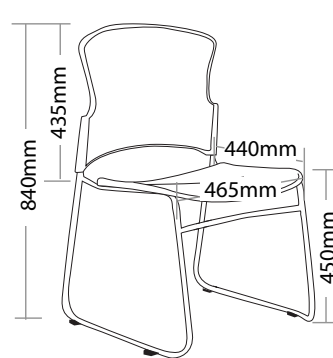


WELDED FRAME

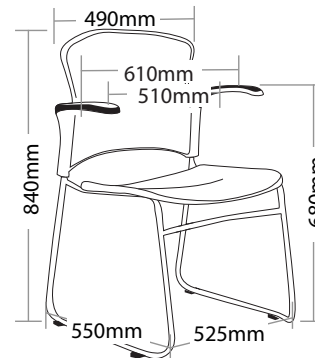
STACKABLE

SLED BASE FRAME

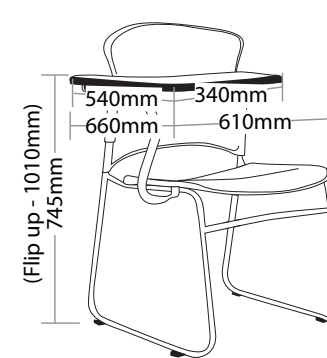
Keep a permanent contact between base of chair and floor



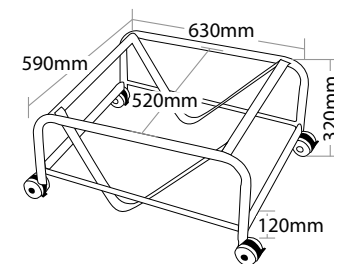
FOC-1



FOC-1A



FOC-1TR



FOC-TRL

# FOCUS HOSPITALITY SEATING



FOC-1



FOC-1A



FOC-1TR



FOC-1TL



FOC-TRL

